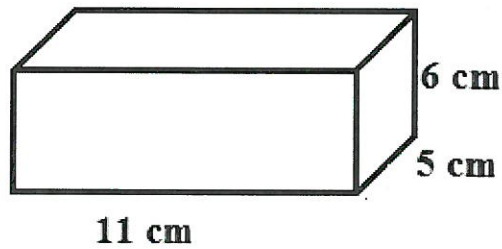
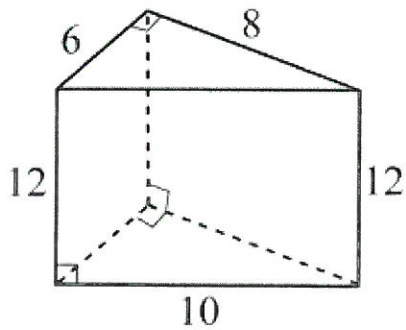


Filling and Wrapping Review!

1. One face on a cube has an area of 16 cm^2 . Find the volume and surface area of the cube.

2. These two fish tanks are possible designs for your company. They each have no top! Compare them using surface area and volume.



Volume:

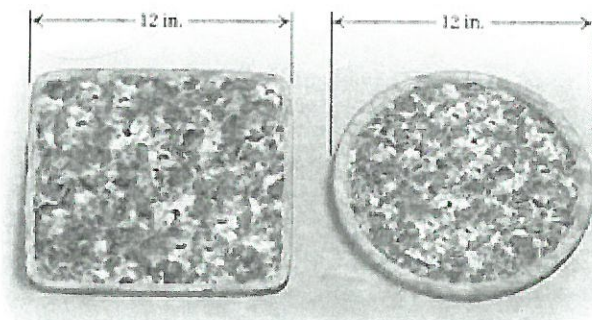
Volume:

SA:

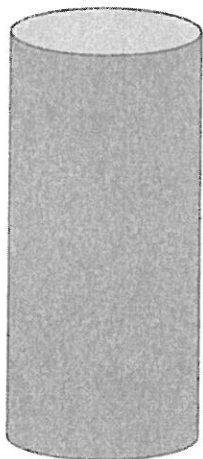
SA:

Which tank should your company make? Explain.

3. Which pizza offers more pizza? Explain!



4. The Pringles can has a radius of 4 cm and a height of 25 cm. Find the surface area and volume of the can.



Surface area = _____

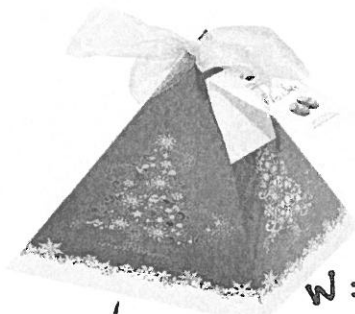
Volume = _____

5. The soccer ball has a radius of 7.5 inches. Find the volume of the soccer ball.



Volume = _____

6. I loved my gift that was wrapped in a pyramid-shaped box. What is the volume?



$L = 6.25$
 $in.$

$w = 6.25 in.$

$H = 6 in.$

Volume = _____